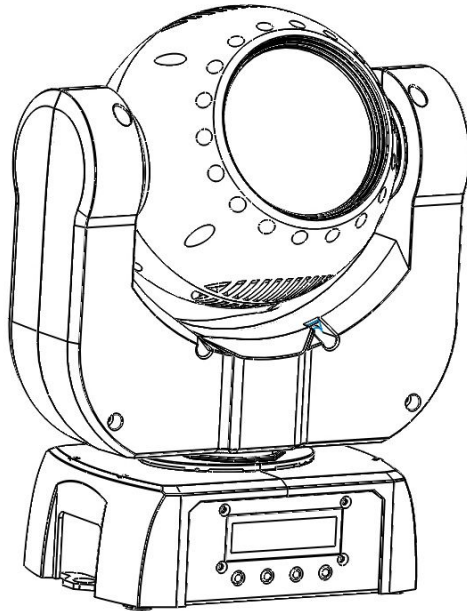





Moving head light manual



MC-60014

 Please read the manual before installing and using this lighting
Keep it for future reference

Catalog

Catalog.....	1
Safety information.....	2
Dimensions.....	3
Button.....	4
Common operation.....	4
Run if there is no signal in DMX mode.....	4
Selecting channels mode.....	4
Manual dimmer.....	5
Run built-in programs.....	5
Run programmable macro.....	5
Reload manufacturer's Data.....	6
Stand-alone mode.....	7
Master/Alone mode.....	7
Set Auto /sound mode.....	7
DMX mode.....	8
Setting DMX start address.....	8
ID addressing.....	8
DMX channel.....	9
17 channels mode (default)	9
15A channels mode.....	11
15B channels mode.....	12
12 channels mode.....	14
Menu.....	16
Menu navigation.....	16
1. DMX menu.....	17
2. Manual Dimmer.....	17
3. Demo menu.....	18
Demo menu.....	18
Blue.....	18
4. Macro menu.....	18
5. Test menu.....	19
6. Set menu.....	19
7. Info menu.....	20
Technical Specification.....	21

Thank you for purchasing our product! Upon receiving the lighting, please carefully check that there has been no damage caused in transportation. If the lighting has been damaged, do not use the lighting and contact your dealer or manufacturer.

This product complies with the following standards:

IEC60598-1:2003

IEC60598-2-17:1984+A2:1990

Safety information

Important

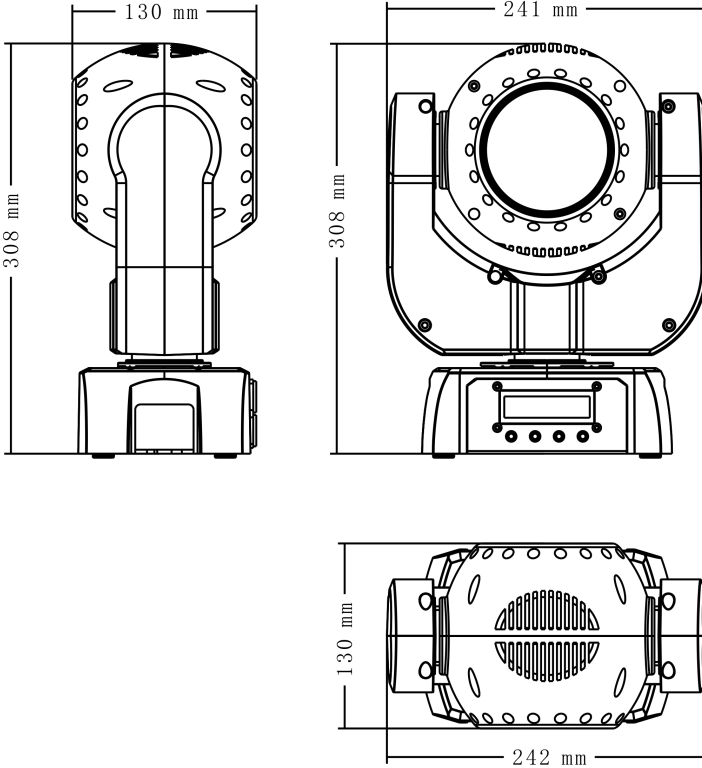
All operation and maintenance must be carried out in accordance with this user manual. Manufacturer will not be responsible for that operation not according to this Instruction:

- ◆ Verify that the voltage matches the rated voltage.
- ◆ The number of power supply plug connection lamps shall not exceed 10 units.
- ◆ Make sure power socket is connected with earth cable well. The earth cable of this unit is Yellow/Green one.
- ◆ Do not move or vibrate the lighting while the lighting is power on.
- ◆ Always disconnect the power before attempting to open the equipment housing or carrying out any maintenance.
- ◆ Do not connect power cable of other electric products with this unit.
- ◆ Do not expose the fixture to rain or moisture.
- ◆ Verify that the feed cables are undamaged and rated for the current requirements of all connected devices before use.
- ◆ Keep all combustible materials (for example fabric, wood, paper) at least 0.5 meters away from the light. Keep flammable materials well away from the fixture.
- ◆ Avoid looking directly into the light source (especially those who suffer from epileptic fits)
- ◆ When it is thunderstorm, don't use the light and disconnect the power supply, high voltage will destroy light.
- ◆ If the ambient temperature exceeds 40 °C, please do not use this light.
- ◆ When suspending the fixture above ground level, verify that the structure can hold at least

10 times the weight of all installed devices.

- ◆ Verify that all external covers and rigging hardware are securely fastened and use an approved means of secondary attachment such as a safety cable.
- ◆ Verify that all screws are tightly fastened.

Dimensions



Unit: MM

Button

- SET/ESC** Call the main menu, or escape the current menu (i.e. return to the upper menu and give up the selected item or parameter).
- UP:** Browse the menu item forward or increase the parameter.
- DOWN:** Browse the menu item backward or decrease the parameter.
- ENTER:** Confirm the selected item or parameter(i.e. enter the next menu, or escape the current menu and save the selected item or parameter)

Common operation

Run if there is no signal in DMX mode

When the lighting is in DMX mode, and shows the stored DMX address,

Press ENTER, shows **DMX** (DMX menu)

Press ENTER

Press UP or DOWN to browse to **AUSO**

Press ENTER

Press UP or DOWN to browse to **Stop Run** (stop) / **Hold Run** (hold) /

Auto Run (auto)/**Sound Run** (Sound)

Press ENTER to confirm

Selecting channels mode

When the lighting is in DMX mode, and showing the stored address,

Press ENTER, shows **DMX** (DMX menu)

Press ENTER

Press UP or DOWN to browse to **DMX Channels**

Press ENTER to **STAG Mode**

Press ENTER to browse to **16/13/8/6**

Press UP or DOWN to browse, Press ENTER to confirm

Manual dimmer

Power on, the lighting shows A001

Press UP or DOWN buttons to browse to **manual dimmer**,

Press UP or DOWN buttons to browse to the following menu

Red	Red dimmer
Green	Green dimmer
Blue	Blue dimmer
Yellow	Yellow dimmer
Cyan	Cyan dimmer
Purple	Purple dimmer
Pure White	Pure White dimmer
All White	Mixed white

If you want to adjust one of above items, Press ENTER buttons to enter and adjust by pressing UP and DOWN buttons, then press ENTER to confirm

Run built-in programs

Power on, the lighting shows A001,

Press UP or DOWN buttons to browse to **manual dimmer**,

Press Enter buttons, the lighting will run the built-in programs

Chang Color	Automatic 1
Twinkling	Automatic 2
Fade	Automatic 3

Run programmable macro

Power on, press UP or DOWN buttons to browse to **MACRO**

Press ENTER buttons to enter can browse to the below menus:

1. **Step Quantity** (adjust the program quantity)
2. **Program Step** (program steps number)

Macro call the built-in programs circularly, each step is one of built-in program.

This menu is used for setting the steps number. If the number is set to 3, so the lighting runs 3 built-in programs circularly, when use UP and DOWN buttons to browse the menu, you just can see 3 step: **ST01**, **ST02**, **ST03**. The number could be set to 62 mostly.

3. **ST01**(choice menu of the 1st step)

Press ENTER-button, then use UP and DOWN buttons to browse to your desired built-in program including **Change Color**, **Twinkling**, and **Fade**, press ENTER-button to assign one of the built-in programs to Step1 or press SET button to cancel and return.

4. **ST02**(choice menu of the 2nd step)

Press ENTER-button, then use UP and DOWN buttons to browse to your desired built-in program including **Change Color**, **Twinkling**, and **Fade**, press ENTER-button to assign one of the built-in programs to Step2 or press SET button to cancel and return

... ..

e.g.:

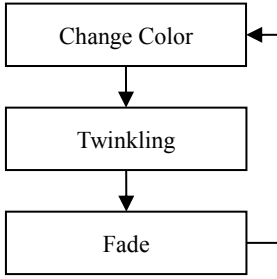
Set steps number to 3

ST01 choose the **Change Color** program

ST02 choose the **Twinkling** program

ST03 choose the **Fade** program

The program runs as right figure.



Reload manufacturer's Data

Press SET-button until displays **SET** (Set menu)

Press ENTER

Press UP or DOWN to browse to **Load Parameter**

Press ENTER

Press UP or DOWN to browse to **ON** (reload)/**OFF** (do not reload)

Press ENTER to confirm.

Stand-alone mode

In Stand-alone mode, the lighting out of control of any exterior signal, run solely. Setting method is:

Press MODE-button until shows **SET** (set menu)

Press ENTER-button

Press UP or DOWN-button to browse to **Master / Alone**

Press ENTER-button

Press UP or DOWN-button to browse to **ALON** (alone)

Press ENTER - button to confirm.

Master/Alone mode

① When signal hand in hand ,one unit needed to be set to Master mode,

and then the other fixtures are default to be slave mode, then all the lights follow the master sync operation.

② Set one unit to master-device, and others to slave-device, then all lights run synchronously follow the master-device .

1. Setting Master-device

Press MODE-button until shows **SET** (set menu)

Press ENTER-button

Press UP or DOWN-button to browse to **Master / Alone**

Press ENTER-button

Press UP or DOWN-button to browse to **MAST** (master)

Press ENTER - button to confirm.

2. Slave-device setting

Press the lighting to DMX mode position.

Set Auto /sound mode

The steps to set Auto/sound mode

Press MODE-button until shows **SET** (set menu)

Press ENTER-button

Press UP or DOWN-button to browse to **Auto / Sound**

Press ENTER-button

Press UP or DOWN-button to browse to **Auto Mode/ Sound Mode**

Press ENTER - button to confirm.

DMX mode

In DMX mode , the lighting can controlled by controller. When the display shows A001 or the other actual stored addresses .the lighting is in DMX mode.

Setting DMX start address

In DMX mode, a fixture requiring one or more channels for control begins to read the data on the channel indicated by the start address. For example, a fixture that uses 3 DMX channels and was addressed to start on DMX channel 1, would read data from channels: 1, 2, 3. Choose start addresses so that the channels used do not overlap, and note the start address selected for future reference. Note that assign the same address to the different lightings, they will receive the same signal.

Setting DMX address method:

When the lighting is in DMX mode, and showing the stored address,,

Press ENTER, shows **DMX** (DMX menu)

Press ENTER

Press UP or DOWN to browse to **ADDR**

Press ENTER

Press UP or DOWN to set DMX address

Press ENTER to confirm

ID addressing

ID code is used to extend DMX. Any DMX address in the range from 001 to 512 may be used, so

a limited fixtures are controlled by DMX controller respectively in a series. However, the ID code function allows each DMX address may carry up to 66 separate ID addresses, so 66 fixtures could be respectively controlled with the same DMX address. For example : if the controller can control 63 fixtures in series , and the ID code function extend the quantity to $63 \times 66 = 4158$

Enter SET menu and find ID menu could set the ID code. ID addresses are accessible from CH4 on the DMX512 controller. If you don't want ID code function, CH4 must be inactive (CH4=0).

DMX channel

This lighting has four channel modes, they can be selected in the DMX menu, the default setting is 17channels mode.

17 channels mode (default)

Channel	Value	Function
1	000-255	Pan
2	000-255	Pan Fine
3	000-255	Tilt
4	000-255	Tilt Fine
5	000-255	Scanning speed
6		Pan continuous rotation
	0-127	No function
	128-189	Clockwise (From fast to slow)
	190-193	Stop
	194-255	Anticlockwise (From slow to fast)
7		Tilt continuous rotation
	0-127	No function
	128-189	Clockwise (From fast to slow)
	190-193	No function
	194-255	Anticlockwise (From slow to fast)
8	000-255	Red dimmer
9	000-255	Green dimmer

10	000-255	Blue dimmer
11	000-255	White dimmer
12		Strobe function
	0-31	Led turn off
	32-63	Led turn on
	64-95	Strobe effect slow to fast
	96-127	Led turn on
	128-159	Pulse-effect in sequences
	160-191	Led turn on
	192-223	Random strobe effect slow to fast
	224-255	Led turn on
13	000-255	Global dimmer
14	000-255	Color wheel
15	000-255	Fixed colour
16	000-255	Fixed colour global dimmer
17		Function channel
	0-9	Normal
	80-87	Reset fixture
	88-90	Fast dimmer
	91-93	Smooth dimmer
	94-96	no function
	97-99	no function
	100-119	Internal program 1
	120-139	Internal program 2
	140-159	Internal program 3
	160-179	Internal program 4
	180-199	Internal program 5
	200-219	Internal program 6
	220-239	Internal program 7
	245-250-	Back light off
250-255	Back light on	

15A channels mode

Channel	Value	Function
1	000-255	Pan
2	000-255	Tilt
3	000-255	Scanning speed
4		Pan continuous rotation
	0-127	No function
	128-189	Clockwise (From fast to slow)
	190-193	Stop
	194-255	Anticlockwise (From slow to fast)
5		Tilt continuous rotation
	0-127	No function
	128-189	Clockwise (From fast to slow)
	190-193	No function
	194-255	Anticlockwise (From slow to fast)
6	000-255	Red dimmer
7	000-255	Green dimmer
8	000-255	Blue dimmer
9	000-255	White dimmer
10		Strobe function
	0-31	Led turn off
	32-63	Led turn on
	64-95	Strobe effect slow to fast
	96-127	Led turn on
	128-159	Pulse-effect in sequences
	160-191	Led turn on
	192-223	Random strobe effect slow to fast
	224-255	Led turn on
11	000-255	Global dimmer

12	000-255	Color wheel
13	000-255	Fixed colour
14	000-255	Fixed colour global dimmer
15		Function channel
	0-9	Normal
	80-87	Reset fixture
	88-90	Fast dimmer
	91-93	Smooth dimmer
	94-96	no function
	97-99	no function
	100-119	Internal program 1
	120-139	Internal program 2
	140-159	Internal program 3
	160-179	Internal program 4
	180-199	Internal program 5
	200-219	Internal program 6
	220-239	Internal program 7
	245-250-	Back light off
250-255	Back light on	

15B channels mode

Channel	Value	Function
1	000-255	Global dimmer
2	000-255	Strobe
3	0-5	Shutter Closed
	6-69	Linear Strobe Slow->Fast
	70-89	Linear Burst On
	90-109	Linear Burst
	110-129	RanDom Strobe
	130-149	RanDom Burst On
	150-169	Sine Wave

	170-189	Opening Pulse
	190-209	Closing Pulse
	210-229	RanDom RanDom Strobe
	230-249	RanDom Closing Pulse
	250-255	Shutter Open
3	000-255	Red dimmer
4	000-255	Green dimmer
5	000-255	Blue dimmer
6	000-255	White dimmer
7	000-255	Color wheel
8		Pan continuous rotation
	0-127	No function
	128-189	Clockwise (From fast to slow)
	190-193	Stop
	194-255	Anticlockwise (From slow to fast)
9	000-255	Pan
10	000-255	Pan Fine
11		Tilt continuous rotation
	0-127	No function
	128-189	Clockwise (From fast to slow)
	190-193	Stop
	194-255	Anticlockwise (From slow to fast)
12	000-255	Tilt
13	000-255	Tilt Fine
14	000-255	Scanning speed
15		Function channel
	0-9	Normal
	80-87	Reset fixture
	88-90	Fast dimmer
	91-93	Smooth dimmer
	94-96	no function
	97-99	no function

	100-119	Internal program 1
	120-139	Internal program 2
	140-159	Internal program 3
	160-179	Internal program 4
	180-199	Internal program 5
	200-219	Internal program 6
	220-239	Internal program 7
	245-250-	Back light off
	250-255	Back light on

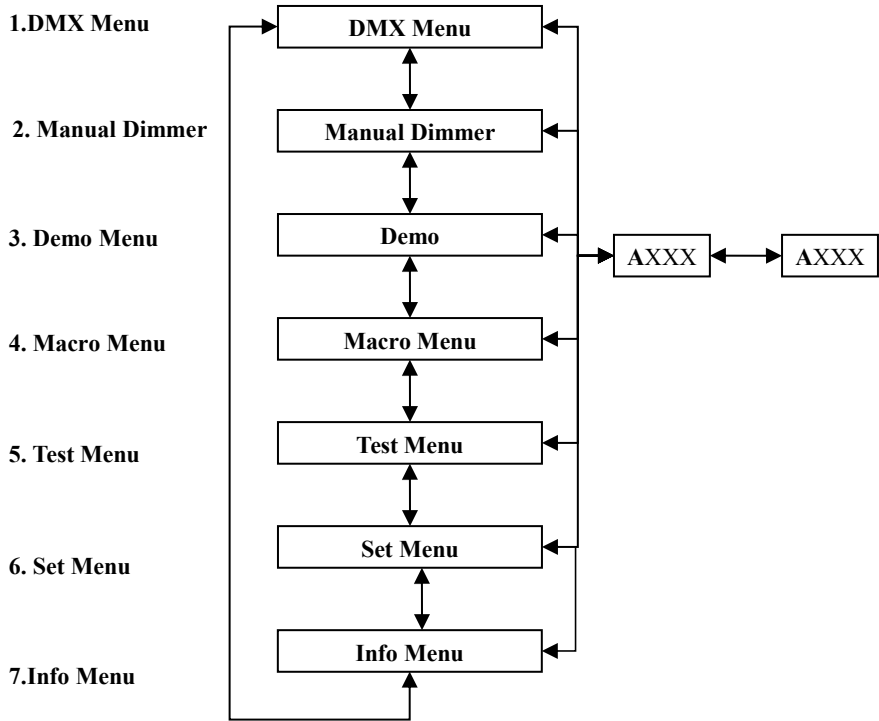
12 channels mode

Channel	Value	Function
1	000-255	Global dimmer
2	000-255	Strobe
	0-5	Shutter Closed
	6-69	Linear Strobe Slow->Fast
	70-89	Linear Burst On
	90-109	Linear Burst
	110-129	RanDom Strobe
	130-149	RanDom Burst On
	150-169	Sine Wave
	170-189	Opening Pulse
	190-209	Closing Pulse
	210-229	RanDom RanDom Strobe
	230-249	RanDom Closing Pulse
	250-255	Shutter Open
3	000-255	Red dimmer
4	000-255	Green dimmer
5	000-255	Blue dimmer
6	000-255	White dimmer
7		Pan continuous rotation

	0-127	No function
	128-189	Clockwise (From fast to slow)
	190-193	Stop
	194-255	Anticlockwise (From slow to fast)
8	000-255	Pan
9		Tilt continuous rotation
	0-127	No function
	128-189	Clockwise (From fast to slow)
	190-193	Stop
	194-255	Anticlockwise (From slow to fast)
10	000-255	Tilt
11	000-255	Scanning speed
12		Function channel
	0-9	Normal
	80-87	Reset fixture
	88-90	Fast dimmer
	91-93	Smooth dimmer
	94-96	no function
	97-99	no function
	100-119	Internal program 1
	120-139	Internal program 2
	140-159	Internal program 3
	160-179	Internal program 4
	180-199	Internal program 5
	200-219	Internal program 6
	220-239	Internal program 7
	245-250-	Back light off
250-255	Back light on	

Menu

Menu navigation



1. DMX menu

Menu	Item	Options	Notes	
DMX Menu	DMX Address	A001	Set DMX address	
	No DMX Signal	Close Shutt		
		Hold		
		Music Control		
	DMX Channels	STAG Mode	17 Channels	
			15A Channels	
			15B Channels	
			12 Channels	

2. Manual Dimmer

Menu	Item	Options	Notes	
Manual Mode	Intensity	000-255	Global dimmer	
	Light Red	000~255	Red dimmer	
	Light Green	000~255	Green dimmer	
	Light Blue	000~255	Blue dimmer	
	Light White	000~255	White dimmer	
	Scan Pan	000~255		
	Scan Tilt	000~255		
	Scan Pan Fine	000~255		
	Scan Tilt Fine	000~255		
	Light Strobe	000~255		
	Color wheel	000~255		
	Light Calibrate	Cal Red		-99~+0
		Cal Green		-99~+0
		Cal Blue		-99~+0
Cal Pan			-128~+127	
Cal Tilt			-128~+127	

3. Demo menu

Menu	Menu	Options
Demo menu	Red	000-255
	Green	000-255
	Blue	000-255
	Yellow	000-255
	Cyan	000-255
	Purple	000-255
	Pure White	000-255
	All White Mixed white	000-255
	Chang Color Automatic 1	000-255
	Twinkling Automatic 2	000-255
	Fade Automatic 3	000-255

4. Macro menu

Menu	Menu	Options
Macro menu	Step Quantity:62 Program number	
	Program Step 01	Change Color Select program Change Color
		Twinkling Select program Twinkling
		Fade Select program Fade

	Program Step 62	Change Color Select program Change Color
		Twinkling Select program Twinkling
		Fade Select program Fade

5. Test menu

Menu	Menu	Options
Test menu	Test All	Test: OFF
	Test LED and Electric machinery	Test: ON
	Test LED	Test: OFF
		Test: ON
	Test P&T	Test: OFF
		Test Electric machinery

6. Set menu

Menu	Menu	Options	Options
Set menu	Reset Machine	Reset: ON	
		Reset: OFF	
	Load parameter	Load ON	
		Load OFF	
	Master / Alone	Master mode	
		Alone mode	
	Auto / Sound	Auto Mode	
	Set the automatic/sound mode	Sound mode	
	MIC sense MIC sensitivity	00~99%	
	TC switch Temperature switch		
	Scan setting	Reverse Pan	ON/OFF
		Reverse Tilt	ON/OFF
Feed Back		ON/OFF	

	Light Calibrate	Cal Red:0~-99	
		Cal Green:0~-99	
		Cal Blue:0~-99	
		Cal Pan:-128~+127	
		Cal Tilt:-128~+127	
	Dimmer curve	Square Law	
		Inv square law	
		S-Curve	
	Dimmer speed	Dimmer: Smooth	
		Dimmer: Fast	
	Dmx Reset	Enabled	
		Disabled	

7. Info menu

Menu	Menu	Options
Info menu	Time: tt/mm/ss	
	Date: mm/dd/yy	
	Version VX.X	
	Name	
	Tapy	
	Fixt HRs	

Technical Specification

voltage	AC100~240V , 50/60Hz
Power consumption	95W
Light source	1PCS 60W LED
Color	R、 G、 B、 W
LED lifespan	About 50,000 hours
Strobe speed	1-25times per second
Dimmer	0-100%
Channel	16/13/8/6
Protocols	DMX mode、 Sound mode、 Manual Dimmer
Control mode	DMX mode , Master/slave mode、 Sound mode、 Manual mode
Environment temperature	-25℃ ~+40℃
Protection rating	IP20
Dimensions	L242*W130*H308mm
Net weight	3.8kg