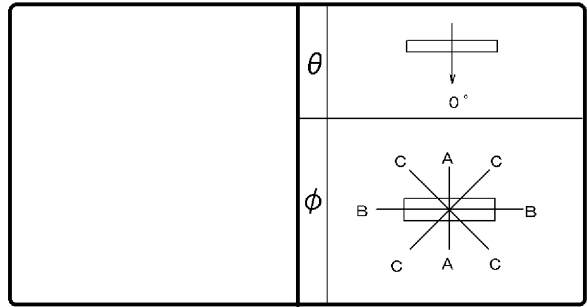


東芝照明器具配光データシート

| | |
|----|-------------------|
| 名称 | 蛍光灯器具 |
| 形名 | FT-21003-GH 15 |

| | | |
|-----|---|------|
| 保守率 | 良 | 0.74 |
| | 中 | 0.70 |
| | 否 | 0.61 |



| | | |
|----|----|-------------|
| 光源 | 名称 | 蛍光ランプ |
| | 形名 | FL20S・W |
| | 光束 | 1230 lm × 1 |

| | | |
|----|-----------|---------|
| 効率 | F \cap | 29% |
| | F \cup | 66% |
| | F \circ | 95% |
| | 器具光束 | 1159 lm |

| 最大取付間隔 | |
|--------|-------|
| A-A | 1.6 H |
| B-B | 1.3 H |

| | |
|----|--|
| 備考 | |
|----|--|

| | |
|-----|--------|
| 前面 | |
| 反射面 | 塗装 (白) |

| 光度 (cd/1000lm) | | | |
|-------------------------|-----|-----|-----|
| $\theta \setminus \phi$ | A-A | B-B | C-C |
| 0° | 137 | 137 | 137 |
| 10° | 136 | 136 | 136 |
| 20° | 139 | 128 | 134 |
| 30° | 146 | 116 | 132 |
| 40° | 149 | 99 | 128 |
| 50° | 149 | 79 | 121 |
| 60° | 146 | 57 | 112 |
| 70° | 136 | 35 | 99 |
| 80° | 123 | 16 | 84 |
| 90° | 117 | 6 | 76 |
| 100° | 117 | 5 | 79 |
| 110° | 118 | 5 | 76 |
| 120° | 102 | 5 | 57 |
| 130° | 75 | 5 | 36 |
| 140° | 44 | 5 | 15 |
| 150° | 18 | 5 | 4 |
| 160° | 0 | 0 | 0 |
| 170° | 0 | 0 | 0 |
| 180° | 0 | 0 | 0 |

| 反射率 (%) | 天井 | 80 | | | | | | 70 | | | | | | 50 | | | | | | 30 | | 20 | 0 |
|---------|-------------|----|-----|----|----|----|----|----|----|----|----|----|----|----|----|----|----|----|----|----|--|----|---|
| | 壁 | 70 | 50 | 30 | 70 | 50 | 30 | 70 | 50 | 30 | 50 | 30 | 30 | 10 | 0 | 30 | 10 | 0 | 10 | 0 | | | |
| 床 | 30 | 10 | 30 | 10 | 30 | 10 | 30 | 10 | 30 | 10 | 30 | 10 | 30 | 10 | 30 | 10 | 30 | 10 | 30 | 10 | | | |
| 室指数 | 照明率 (×0.01) | | | | | | | | | | | | | | | | | | | | | | |
| 0.60 | 49 | 46 | 36 | 34 | 27 | 27 | 46 | 43 | 34 | 32 | 26 | 25 | 30 | 29 | 24 | 23 | 21 | 21 | 16 | 13 | | | |
| 0.80 | 59 | 54 | 45 | 42 | 36 | 34 | 55 | 51 | 43 | 40 | 34 | 33 | 38 | 36 | 31 | 30 | 28 | 27 | 22 | 18 | | | |
| 1.00 | 66 | 59 | 52 | 48 | 42 | 40 | 61 | 55 | 49 | 45 | 40 | 38 | 43 | 41 | 36 | 35 | 32 | 31 | 26 | 22 | | | |
| 1.25 | 73 | 65 | 59 | 54 | 49 | 46 | 67 | 61 | 55 | 51 | 47 | 44 | 49 | 46 | 42 | 40 | 37 | 36 | 30 | 26 | | | |
| 1.50 | 77 | 68 | 64 | 58 | 55 | 51 | 72 | 64 | 60 | 55 | 52 | 48 | 53 | 50 | 46 | 44 | 41 | 39 | 34 | 29 | | | |
| 2.00 | 85 | 74 | 73 | 65 | 64 | 58 | 79 | 70 | 69 | 62 | 60 | 56 | 60 | 56 | 53 | 50 | 47 | 45 | 40 | 34 | | | |
| 2.50 | 89 | 77 | 79 | 70 | 70 | 63 | 83 | 73 | 74 | 66 | 66 | 60 | 64 | 59 | 58 | 55 | 51 | 49 | 43 | 38 | | | |
| 3.00 | 93 | 80 | 83 | 73 | 75 | 67 | 86 | 75 | 78 | 69 | 71 | 64 | 68 | 62 | 62 | 58 | 55 | 52 | 46 | 41 | | | |
| 4.00 | 98 | 83 | 90 | 77 | 82 | 72 | 91 | 79 | 84 | 74 | 77 | 69 | 73 | 66 | 68 | 63 | 59 | 56 | 51 | 45 | | | |
| 5.00 | 101 | 85 | 94 | 80 | 87 | 76 | 93 | 81 | 87 | 76 | 82 | 72 | 76 | 69 | 71 | 66 | 62 | 59 | 54 | 47 | | | |
| 10.00 | 107 | 90 | 103 | 87 | 99 | 84 | 99 | 85 | 96 | 83 | 92 | 80 | 83 | 75 | 80 | 73 | 70 | 66 | 61 | 54 | | | |

