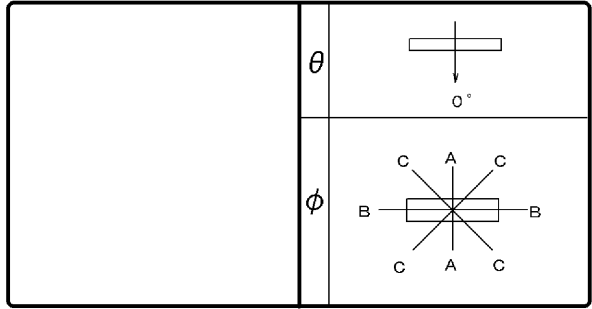


# 東芝照明器具配光データシート

|    |                      |
|----|----------------------|
| 名称 | 蛍光灯器具                |
| 形名 | FHT-41185NM<br>K-PH9 |

|     |   |      |
|-----|---|------|
| 保守率 | 良 | 0.73 |
|     | 中 | 0.69 |
|     | 否 | 0.61 |



|    |    |             |
|----|----|-------------|
| 光源 | 名称 | 蛍光ランプ       |
|    | 形名 | FHF32EX-N-H |
|    | 光束 | 4950 lm × 1 |

|    |      |         |
|----|------|---------|
| 効率 | F    | 1%      |
|    | F    | 82%     |
|    | F    | 83%     |
|    | 器具光束 | 4120 lm |

|        |        |
|--------|--------|
| 最大取付間隔 |        |
| A-A    | 1.37 H |
| B-B    | 1.27 H |

|    |  |
|----|--|
| 備考 |  |
|----|--|

|     |        |
|-----|--------|
| 前面  | 下面開放   |
| 反射面 | 塗装 (白) |

| 光度 (cd/1000lm)           |     |     |     |
|--------------------------|-----|-----|-----|
| $\theta \backslash \phi$ | A-A | B-B | C-C |
| 0°                       | 231 | 231 | 231 |
| 10°                      | 228 | 226 | 230 |
| 20°                      | 227 | 213 | 224 |
| 30°                      | 215 | 196 | 210 |
| 40°                      | 203 | 171 | 190 |
| 50°                      | 182 | 139 | 166 |
| 60°                      | 156 | 106 | 139 |
| 70°                      | 127 | 63  | 105 |
| 80°                      | 86  | 24  | 72  |
| 90°                      | 28  | 0   | 17  |
| 100°                     | 0   | 0   | 0   |
| 110°                     | 0   | 0   | 0   |
| 120°                     | 0   | 0   | 0   |
| 130°                     | 0   | 0   | 0   |
| 140°                     | 0   | 0   | 0   |
| 150°                     | 0   | 0   | 0   |
| 160°                     | 0   | 0   | 0   |
| 170°                     | 0   | 0   | 0   |
| 180°                     | 0   | 0   | 0   |

| 反射率 (%) | 天井  | 80          |    |    |    |    |    | 70 |    |    |    |    |    | 50 |    |    |    |    |    | 30 |    | 20 |   | 0 |
|---------|-----|-------------|----|----|----|----|----|----|----|----|----|----|----|----|----|----|----|----|----|----|----|----|---|---|
|         | 壁   | 70          |    | 50 |    | 30 |    | 70 |    | 50 |    | 30 |    | 50 |    | 30 |    | 30 |    | 10 |    | 0  |   |   |
|         | 床   | 30          | 10 | 30 | 10 | 30 | 10 | 30 | 10 | 30 | 10 | 30 | 10 | 30 | 10 | 30 | 10 | 30 | 10 | 30 | 10 | 10 | 0 |   |
| 室指数     |     | 照明率 (×0.01) |    |    |    |    |    |    |    |    |    |    |    |    |    |    |    |    |    |    |    |    |   |   |
| 0.60    | 49  | 45          | 37 | 35 | 29 | 28 | 47 | 44 | 36 | 34 | 29 | 28 | 35 | 33 | 28 | 27 | 28 | 27 | 23 | 22 |    |    |   |   |
| 0.80    | 59  | 53          | 46 | 43 | 38 | 36 | 57 | 52 | 45 | 43 | 38 | 36 | 43 | 41 | 37 | 35 | 36 | 35 | 31 | 29 |    |    |   |   |
| 1.00    | 65  | 58          | 52 | 49 | 44 | 42 | 63 | 57 | 51 | 48 | 43 | 41 | 49 | 46 | 42 | 41 | 41 | 40 | 36 | 34 |    |    |   |   |
| 1.25    | 71  | 63          | 59 | 54 | 51 | 48 | 69 | 62 | 58 | 54 | 50 | 47 | 55 | 52 | 48 | 46 | 47 | 45 | 41 | 39 |    |    |   |   |
| 1.50    | 76  | 67          | 64 | 58 | 56 | 52 | 73 | 65 | 63 | 57 | 55 | 51 | 59 | 56 | 53 | 50 | 51 | 49 | 45 | 43 |    |    |   |   |
| 2.00    | 83  | 72          | 73 | 65 | 65 | 59 | 80 | 71 | 71 | 64 | 64 | 59 | 67 | 62 | 61 | 57 | 58 | 56 | 52 | 50 |    |    |   |   |
| 2.50    | 87  | 75          | 78 | 69 | 71 | 64 | 84 | 74 | 76 | 68 | 69 | 63 | 71 | 66 | 66 | 62 | 63 | 60 | 57 | 55 |    |    |   |   |
| 3.00    | 90  | 77          | 82 | 72 | 76 | 67 | 87 | 76 | 80 | 71 | 74 | 67 | 75 | 69 | 70 | 65 | 67 | 64 | 60 | 58 |    |    |   |   |
| 4.00    | 94  | 80          | 88 | 76 | 82 | 72 | 91 | 79 | 85 | 75 | 80 | 71 | 80 | 73 | 75 | 70 | 72 | 68 | 65 | 63 |    |    |   |   |
| 5.00    | 97  | 82          | 91 | 78 | 86 | 75 | 93 | 81 | 88 | 77 | 84 | 74 | 83 | 75 | 79 | 73 | 75 | 71 | 68 | 66 |    |    |   |   |
| 10.00   | 103 | 86          | 99 | 84 | 96 | 82 | 99 | 84 | 96 | 83 | 93 | 81 | 89 | 81 | 87 | 79 | 82 | 77 | 75 | 73 |    |    |   |   |

